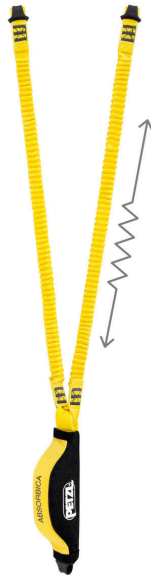


Universe	Professional
Type	Verticality
Category	Lanyards and energy absorbers
Subcategory	Fall arrest lanyards

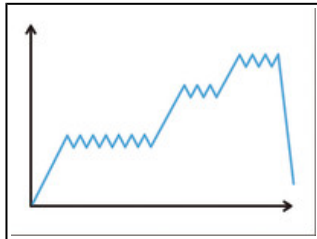


ABSORBICA-Y European version

Double lanyard with a compact, integrated energy absorber, for continuous protection when passing intermediate anchors. It is available in 80 or 150 cm versions (without connectors). The 150 cm version has elasticated arms, to avoid hindering progression. Available with or without MGO large-opening connectors, it is certified to European and Russian standards.



The ABSORBICA-Y lanyards with two arms allow for continuous protection when passing an intermediate anchor, by successively detaching and re-attaching the two arms.



In case of a fall, the tearing of the energy absorber webbing limits the impact force on the user. The lanyards are designed for users who weigh between 50 and 130 kg. The progressive tearing of the webbing reduces the deceleration on lightweight users.







The energy absorber is very compact to avoid hindering the user's movements, or interfering with handling. A durable fabric pouch helps protect the energy absorber from abrasion and potential contaminants.

Short Description Double lanyard with integrated energy absorber

- Selling Points**
- Designed for continuous protection when passing intermediate anchor points
 - Absorbs energy in case of a fall:
 - tearing of the energy absorber webbing limits the impact force on the user
 - works with users who weigh between 50 and 130 kg
 - progressive tearing reduces the deceleration on lightweight users
 - Minimal bulk:
 - compact energy absorber facilitates handling
 - the 150 cm version has elasticated arms, to avoid hindering progression
 - Abrasion resistance:
 - durable zippered fabric pouch protects the energy absorber from abrasion or contaminants while allowing for regular inspection of the absorber
 - lanyard and pouch reduce the risk of cuts and potential severing over edges
 - Two options for installation on the harness, depending on use:
 - frequent connection/disconnection: with a carabiner held in correct position by the STRING (included with the lanyard) or with a MICRO SWIVEL to avoid tangling
 - semi-permanent connection: with a RING OPEN whose circular shape ensures optimal positioning, or with a SWIVEL OPEN to avoid tangling
 - Available without connector or with MGO large-opening connectors, also in two lengths: 80 and 150 cm

Specification • Material(s): polyester, nylon, high-modulus polyethylene, aluminum

Specifications by reference

Reference(s)	L64YA 80	L64YAM 80	L64YA 150	L64YAM 150
				
Length	80 cm	105 cm	150 cm	175 cm
Connector	without connector	MGO	without connector	MGO
Maximum authorized length (with connectors)	130 cm	115 cm	200 cm	185 cm
Maximum length of torn lanyard after fall	210 cm	190 cm	320 cm	300 cm
Maximum clearance (for fall factor 2)	440 cm	400 cm	620 cm	585 cm
Weight	370 g	1290 g	430 g	1430 g
Certification(s)	CE EN 355, CE EN 354, EAC	CE EN 355, CE EN 354, CE EN 362, EAC	CE EN 355, CE EN 354, EAC	CE EN 355, CE EN 354, CE EN 362, EAC
Made in	FR	FR	FR	FR
Guarantee	3 years	3 years	3 years	3 years
Packing	1	1	1	1
Case quantity	10	5	12	5
EAN	3342540103955	3342540103948	3342540103917	3342540103900

Related product(s) VOLT®
OK
Am'D
SWIVEL OPEN
RING OPEN
VERTIGO TWIST-LOCK