

Micro and Mini Torch

Zones: 0, 1, 2, 20, 21 and 22



Product Overview

The Micro and Mini Torches use high-tech light sources to give impressive performance with a compact size, designed for easy pocket storage, and are CE marked to the ATEX Directive and IECEx certified for safe use in potentially explosive gas, vapour, mist or dust atmospheres, where a T4 or T5 temperature class permits. All models are approved to Group I for use in mining applications.

The LED models; M-10 Micro, M-40 and M-60 Minis are approved as Category 1 equipment for use in Gas Zones 0, 1 and 2, and Dust Zones 20, 21, 21 and the M-20 Xenon Mini is approved as Category 2 equipment for use in Gas Zones 1 and 2.

The M-10 Micro has a single white 5mm 'Nichia' LED light source and is powered by four alkaline LR44 'button cells', giving an impressive beam with a two hour duration from a very compact size. The M-20 Mini uses a Xenon filament bulb powered by two LR03 'AAA' cells, giving an excellent narrow beam of light with good range and up to 2.3 hours duration. The M-40 Mini has a cluster of three white 5mm 'Nichia' LEDs, and the M-60 Mini uses a single high power Cree LED giving remarkable light output; both products are powered by three alkaline LR1 'N' cells giving up to ten hours of usable light with the M-40 and up to 3.5 hours* of usable light with the M-60. All supplied with cells.

The Micro and Mini Torches have an ergonomic design and are constructed from high quality thermoplastic resin, with excellent impact and chemical resistance and the polycarbonate lens is set-back within the lens ring to minimise risk of damage. All models have a lanyard hole (M-10 Micro supplied with neck cord), an integral pocket clip for secure retention and to prevent roll on a flat surface, and a push-button for single-handed switching, which is shrouded to guard against accidental operation. All models are certified IP67, sealed against water/dust ingress.

NSN codes

6230-99-1823546 - M-60MOD

Features & Benefits

- ATEX and IECEx Certified
- T4/T5 temperature class
- Ultra small size
- Lightweight, ergonomic design
- Proven impact resistance
- Single handed switching
- Switch protection shroud
- Integral pen style pocket clip
- IP67 water and dust tight
- Gas and Dust Approval (M-20 Not Dust approved)
- Group I Mining Approval

Certifications



0598

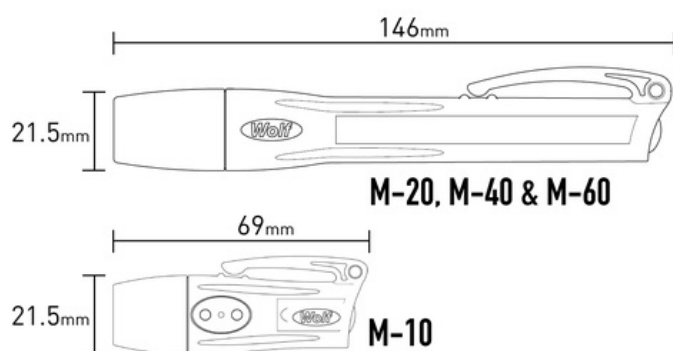
Technical Specification

| Product Reference | | M-10 | M-20 | M-40 | M-60 |
|---------------------------------|-------------------|--|---|--|--|
| Product Description | | LED Micro Torch | Xenon Mini Torch | LED Mini Torch | 1W LED Mini Torch |
| Code | Industrial | I M1/II 1GD Ex ia I Ma/IIC T5 Ga (-40°C ≤Ta≤ +50°C) | I M2/II 2G Ex ib I Mb/IIC T4 Gb (-40°C ≤Ta≤ +40°C) | I M1/II 1GD Ex ia op is I Ma/IIC T4 Ga (-40°C ≤Ta≤ +50°C) | I M1/II 1GD Ex ia op is I Ma/IIC T4 Ga (-40°C ≤Ta≤ +50°C) |
| | Gas | | | | |
| | Dust | Ex ia IIIB T95°C Da IP67 | N/A | Ex ia op is IIIB T125°C Da IP67 | Ex ia op is IIIB T130°C Da IP67 |
| | Mining | I M1 Ex ia I Ma IP67 | I M2 Ex ib I Mb IP67 | I M1 Ex ia I Ma IP67 | I M1 Ex ia op is I Ma IP67 |
| Type of Protection | | ia | ib | ia | |
| Area of Class (Gas) | | Zones 0, 1 & 2, Gas Group IIC | Zones 1 & 2, Gas Group IIC | Zones 0, 1 & 2, Gas Group IIC | |
| Temp. Class (Gas) | | T5 | T4 | | |
| Ambient Temp. | | -40°C to + 50°C | -40°C to + 40°C | -40°C to + 50°C | |
| Area of Class (Dust) | | Zone 20, 21 & 22, Dust Group IIIB | | Zone 20, 21 & 22, Dust Group IIIB | |
| Max Surface Temp. (Dust) | | 95°C | | 125°C | 130°C |
| Certification | | Baseefa06ATEX0084X - IECEx BAS 06.0023X | | | |
| Enclosure | | Impact Resistant Thermoplastic | | | |
| Lens | | Polycarbonate | | | |
| Beam Type | | Medium Spot | Narrow Spot | Medium Spot | |

| | | | | | |
|-----------------------------|-----------------|--------------------------------|--------------------------------|-------------------------------|-------------------------|
| Light Source | Part No. | - | M-201 | - | - |
| | Type | 1x5mm LED White (Nichia) | Xenon Filled Filament Bulb | 3 x 5mm LED White (Nichia) | 1 x High Power Cree LED |
| | Rating | - | 2.3V 0.3A | - | 1 Watt |
| | Output | 30 cd | 15 lm | 3 x 30 cd | Up to 107 lm |
| | Life | 25,000 hrs | 30 hrs | 25,000 hrs | |
| Power Source | Part No. | M-102 (4 pack) | M-202 (2 pack) | M-402 (3 pack) | |
| | Type | LR44 Primary Cells to IEC60086 | LR03 Primary Cells to IEC60086 | LR1 Primary Cells to IEC60086 | |
| | Volts | 4 x 1.5V | 2 x 1.5V | 3 x 1.5V | |
| Light Duration | | Up to 2 hrs | Up to 2.3 hrs | Up to 10 hrs | 1.5-3.5 hrs* |
| Ingress Protection | | IP67 to EN60529:1992 | | | |
| Weight (incl. cells) | | 25g | 60g | | |

- *M-60 battery duration/light output is dependent on battery make and type.
- All information has been gathered under laboratory conditions, the user must regard the values given as approximate.
- Changes may be made to the above specification without notification, details are available on request.

Product Dimensions



Light Output

M-10

Spot Beam (approx. 13°)
Peak luminous intensity at 2.5m **8 lux**

M-20

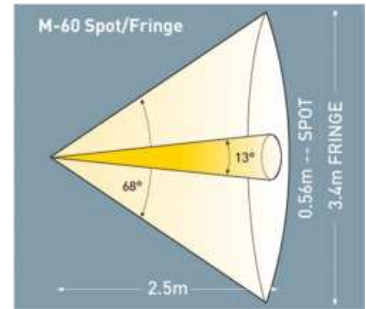
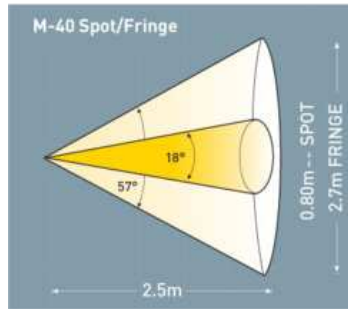
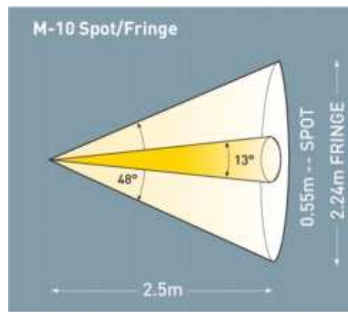
Spot Beam (approx. 6°)
Peak luminous intensity at 2.5m **100 lux**

M-40

Spot Beam (approx. 18°)
Peak luminous intensity at 2.5m **60 lux**

M-60*

Spot Beam (approx. 8°)
Peak luminous intensity at 2.5m **275 lux**



Version: SL011 DF528 Issue 14



Wolf Safety Lamp Company, Saxon Road Works, Sheffield, S8 0YA, UK

- T: +44 (0) 114 255 1051 • F: +44 (0) 114 255 7988
- E: info@wolfsafety.com • www.wolfsafety.com

